

Recessed LED Trimless Downlight



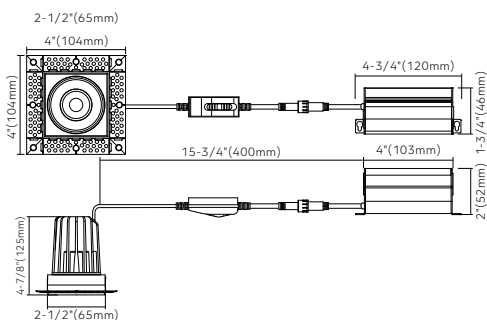
2" High Lumen



Key Features

- 2" round or square LED trimless downlight with integral driver in connection box
- Type IC rated-no housing needed
- Flexibility to switch color temperature during installation to suit a specific application, just adjust the color temperature with the slide switch located on the wire
- **Smooth trimless look**
- LED source SDCM<3
- Aluminum construction
- **Enjoy the benefits of voltage surge protection, reliable operation in low-temperature environments and longer driver lifetime**

Dimensions



Ordering Guide

Series	Wattage	Color Temperature	Voltage	Finish	
HB-2SB	12W	5CCT (2700K/3000K/3500K/4000K/5000K)	Blank AC 120V	● WH (Matte White) ● BK (Matte Black)	T Trimless


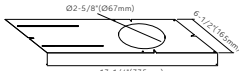

Example: HB-2RB12W5CCTWHT

Specifications

Models	HB-2SB12W5CCTWHT	
Applications	General lighting	
Wattage	12W	
Color Temperature(K)	5CCT	
Delivered Lumen(lm)	2700/3000/3500/4000/5000	
Halogen Equivalent	90W	
Beam Angle	38°	
CRI	>90 (CRI 97 optional, special order)	
Driver Input	120V AC	
Power Factor	0.9	
Dimming	TRIAC dimmers 100%-10%	
Cut out	Ø2-5/8" (67mm)	2-7/8" x 2-7/8" (72x72mm)
Approved Location*	Insulated ceiling, Indoor & Wet location	
Ambient Temperature	-20°C to +40°C	
Air Tight	Yes	
Projected Life	70% light output at 50,000 hours	
Certification	cETLus	
Warranty*	5-year limited warranty	

* Due to continuous improvements and innovations, specifications may change without notice

Accessories

AC120V driver  Model: G35RS-X (Aluminum version)	Rough-in plate  Model: HB-MP-26	Extension cables (2pin)  Model: LR-EXC6 6' 2pin cable LR-EXC10 10' 2pin cable LR-EXC20 20' 2pin cable
--	--	---

Installation

1. Make sure to install plaster frame with arrow pointing upwards (towards the ceiling)
2. Plaster over the mud frame, be careful not to fill past raised rim
3. Connect green wire of cable to green wire on box, white wire of cable to white wire on box, black wire of cable to black wire on box.
4. Insert the fixture to plaster frame, secure the lamp by twisting the fixture twist anti-clockwise to the mud frame

Twist Anti-clockwise