

Recessed LED Trimless Downlight



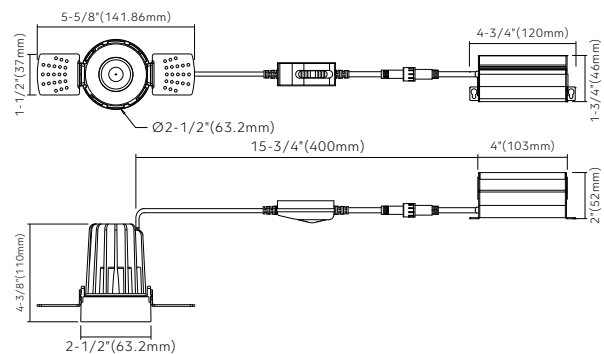
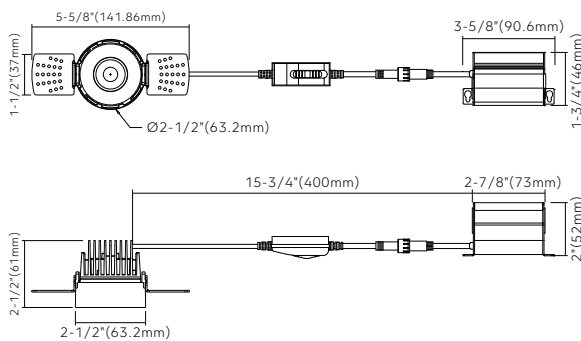
2" New Style



Key Features

- 2" round LED trimless downlight with integral driver in connection box
- Type IC rated-no housing needed
- Flexibility to switch color temperature during installation to suit a specific application, just adjust the color temperature with the slide switch located on the wire
- **Smooth trimless look**
- **8W and 12W are available**
- LED source SDCM<3
- Enjoy the benefits of voltage surge protection, reliable operation in low-temperature environments and longer driver lifetime
- Die-cast aluminum construction

Dimensions



Specifications		
Models	HB-2RB8W5CCTWHT	HB-2RB12W5CCTWHT
Applications	General lighting	
Wattage	8W	12W
Color Temperature(K)	5CCT 2700/3000/3500/4000/5000	
Lumen Output(lm)	650	1000
Halogen Equivalent	65W	100W
Beam Angle	38°	
CRI	90	
Driver Input	120V AC	120V AC (120-347V optional)
Power Factor	0.9	
Dimming	TRIAC dimmers 100%-10%	TRIAC dimmers 100%-10% (0-10V dimming optional)
Cut out	Ø2-5/8" (67mm)	
Approved Location*	Insulated ceiling, Indoor & Wet location	
Ambient Temperature	-20°C to +40°C	
Air Tight	Yes	
Projected Life	70% light output at 50,000 hours	
Certification	cETLus	
Warranty*	5-year limited warranty	

* Due to continuous improvements and innovations, specifications may change without notice

Accessories

AC120V driver Model: HB8W-X (Aluminum version)	AC120-347V driver Model: HB12W-X (Aluminum version)	Rough-in plate Model: HB-TMLP-U
--	---	---

Ordering Guide

Series	Wattage	Color Temperature	Voltage	Finish	
HB-2RB	8W	5CCT (2700K/3000K/3500K/4000K/5000K)	Blank AC 120V	● WH (Matte White) ● BK (Matte Black)	T Trimless
HB-2RB	12W		Blank AC 120V Mulv AC 120-347V		

Example: HB-2RB8W5CCTWHT