

Recessed Gimbal Downlight & LED Combo

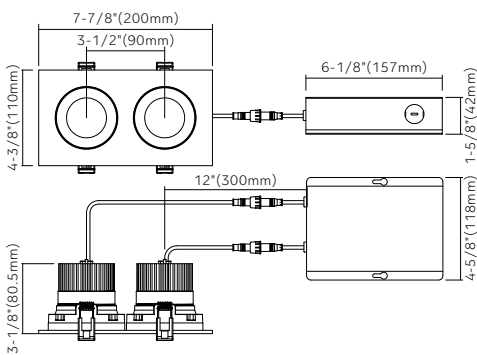
3.5" 2-light



Key Features

- 3.5" LED multiple of 2-light regressed downlight with integral one to three J-box
- Type IC rated-no housing needed
- Flexibility to switch color temperature during installation to suit a specific application, just adjust the color temperature with the slide switch located on the fixture
- 1 to 2 driver for faster installation
- Cut hole in ceiling and snap fixture in opening with attached spring clips
- Aluminum construction

Dimensions



Specifications

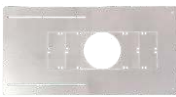
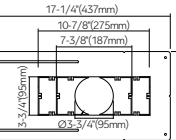


Models	HB-G235R
Applications	Sloped ceiling, highlighting artwork
Wattage	24W
Color Temperature(K)	5CCT
	2700/3000/3500 /4000/5000
Lumen Output(lm)	1930/1950/1955
	/1975/1965
Halogen Equivalent	150W
Beam Angle	38°
CRI	80
Driver Input	120V AC
Power Factor	0.9
Dimming	TRIAC dimmers 100%-10%
Cut out	7-5/16" x 3-3/4" (185x95mm)
Approved Location*	Insulated ceiling, Indoor & Damp location
Ambient Temperature	-20°C to +40°C
Air Tight	Yes
Projected Life	70% light output at 50, 000 hours
Certification	ETL
Warranty*	Project: 5-year warranty

Approved Location*-please contact our sales for outdoor application
Warranty*-refer to Hi-bright warranty policy

120V Input Driver Included



Accessories

Rough-in plate   Model: CMG-RP-U	AC120V driver  Model: LR-D120-24A (Aluminum version)
	Extension cables (2pin)  Model: LR-EXC6 6' 2pin cable LR-EXC10 10' 2pin cable LR-EXC20 20' 2pin cable

Ordering Guide

Example: HB-G235R24W5CCTWH

Series	Wattage	Color Temperature	Voltage	Finish
HB-G235R RegressedDownlight -3.5" Multiple of 2-light	24W	5CCT (2700K/3000K/3500K/4000K/5000K)	(Blank) 120V only	● WH (White)

* Other finish are available, please contact our sales to make order for special items