

Recessed Gimbal Downlight & LED Combo

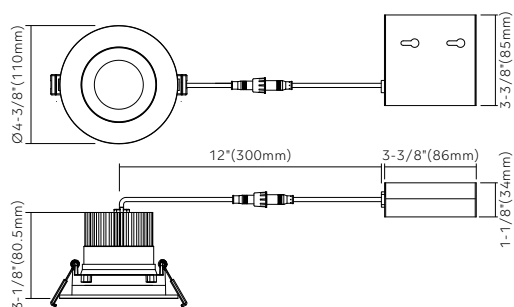
3.5" Round



Key Features

- 3.5" round LED gimbal downlight with integral driver in connection box
- Type IC rated-no housing needed
- Flexibility to switch color temperature during installation to suit a specific application, just adjust the color temperature with the slide switch located on the fixture
- Fixed & gimbal design are available
- Available shape: round & square
- Cut hole in ceiling and snap fixture in opening with attached spring clips
- Aluminum construction

Dimensions



Specifications	
Models	HB-G35R
Applications	Sloped ceiling, highlighting artwork
Wattage	12W
Color Temperature(K)	5CCT
	2700/3000/3500 /4000/5000
Lumen Output(lm)	980/1000/1005 /1010/1005
Halogen Equivalent	80W
Beam Angle	38°
CRI	80
Driver Input	120V AC
Power Factor	0.9
Dimming	TRIAC dimmers 100%-10%
Cut out	3-3/4" (95mm)
Approved Location*	Insulated ceiling, Indoor & Damp location
Ambient Temperature	-20°C to +40°C
Air Tight	Yes
Projected Life	70% light output at 50,000 hours
Certification	ETL
Warranty*	Retail: lifetime warranty Project: 7-year warranty

Approved Location*-please contact our sales for outdoor application
Warranty*-refer to Hi-bright warranty policy

120V Input Driver Included



Accessories

Rough-in plate Model: CMG-RP-U	AC120V driver Model: LR-D120-12A (Aluminum version)
	Extension cables (2pin) Model: LR-EXC6 6' 2pin cable LR-EXC10 10' 2pin cable LR-EXC20 20' 2pin cable

Ordering Guide

Example: HB-G35R12W5CCTWH

Series	Wattage	Color Temperature	Voltage	Finish
HB-G35R Regressed Downlight -3.5" Round Gimbal	12W	5CCT (2700K/3000K/3500K/4000K/5000K)	(Blank) 120V only	● WH (White) ● BK (Black)

* Other finish are available, please contact our sales to make order for special items