

Recessed Gimbal Downlight & LED Combo

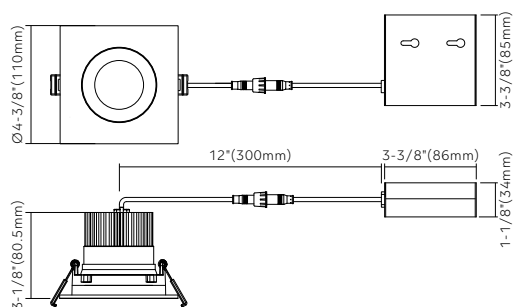
3.5" Square



Key Features

- 3.5" square LED gimbal downlight with integral driver in connection box
- Type IC rated-no housing needed
- Flexibility to switch color temperature during installation to suit a specific application, just adjust the color temperature with the slide switch located on the fixture
- Fixed & gimbal design are available
- Available shape: round & square
- Cut hole in ceiling and snap fixture in opening with attached spring clips
- Aluminum construction

Dimensions



Specifications

Models	HB-G35S	
Applications	Sloped ceiling, highlighting artwork	
Wattage	12W	
Color Temperature(K)	5CCT	
	2700/3000/3500 /4000/5000	
Lumen Output(lm)	980/1000/1005	
	/1010/1005	
Halogen Equivalent	80W	
Beam Angle	38°	
CRI	80	
Driver Input	120V AC	
Power Factor	0.9	
Dimming	TRIAC dimmers 100%-10%	
Cut out	3-3/4" (95mm)	
Approved Location*	Insulated ceiling, Indoor & Damp location	
Ambient Temperature	-20°C to +40°C	
Air Tight	Yes	
Projected Life	70% light output at 50, 000 hours	
Certification	ETL	
Warranty*	Retail: lifetime warranty	Project: 7-year warranty

Approved Location*-please contact our sales for outdoor application
Warranty*-refer to Hi-bright warranty policy

120V Input Driver Included



Accessories

Rough-in plate 	AC120V driver Model: LR-D120-12A (Aluminum version)
	Extension cables (2pin) Model: LR-EXC6 6' 2pin cable LR-EXC10 10' 2pin cable LR-EXC20 20' 2pin cable

Ordering Guide

Example: HB-G35S12W5CCTWH

Series	Wattage	Color Temperature	Voltage	Finish
HB-G35S Regressed Downlight -3.5" Square Gimbal	12W	5CCT (2700K/3000K/3500K/4000K/5000K)	(Blank) 120V only	● WH (White)

* Other finish are available, please contact our sales to make order for special items