

LED Regressed Gimbal Lights

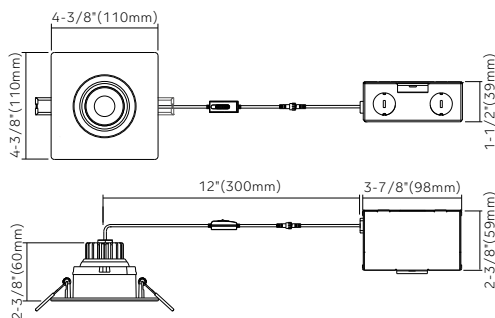
3" Square



Key Features

- 3" square LED recessed regress gimbal with integral driver in connection box
- Eyeball, round & square regressed models
- Type IC rated-no housing needed
- Flexibility to switch color temperature during installation to suit a specific application, just adjust the color temperature with the slide switch located on the wire
- Superior LED performance and lifespan
- 30° tilting, 360° rotation
- Cut hole in ceiling and snap fixture in opening with attached spring clips
- Aluminum construction

Dimensions



Ordering Guide

Series	Wattage	Color Temperature	Voltage	Finish
HB-3S Recessed Regress Gimbal-3" Square	8W	5CCT (2700K/3000K/3500K/4000K/5000K)	(Blank) 120V only	● WH (White) * Special Finish, please contact our sales

Example: HB-3S8W5CCTWH

Special item, please contact our sales

Specifications

Models	HB-3S8W5CCTWH
Applications	Sloped ceiling, highlighting artwork
Wattage	8W
Color Temperature(K)	5CCT 2700/3000/3500 /4000/5000
Lumen Output(lm)	490/510/530 /540/550
Halogen Equivalent	60W
Beam Angle	38°
CRI	90
Driver Input	120V AC
Power Factor	0.9
Dimming	TRIAC dimmers 100%-10%
Cut out	3-3/8" (85mm)
Approved Location*	Insulated ceiling, Indoor & Damp/Wet location
Ambient Temperature	-20°C to +40°C
Air Tight	Yes
Projected Life	70% light output at 50, 000 hours
Certification	ETL
Warranty*	Retail: lifetime warranty Project: 7-year warranty

Approved Location*-please contact our sales for outdoor application

Warranty*-refer to Hi-bright warranty policy

120V Input Driver Included



Accessories

AC120V driver



Extension cables (2pin)



For single CCT or multiple CCT
fixtures with CCT switch on the wire
Model: LR-EXC6 6' 2pin cable
LR-EXC10 10' 2pin cable
LR-EXC20 20' 2pin cable