

# Constant Voltage Dimmable Driver

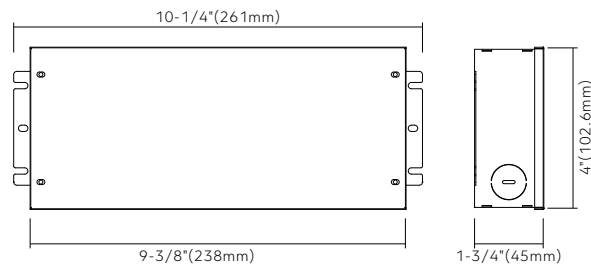


Specifications				
Models	DRIVER150W	DRIVER200W	DRIVER288W	
Applications	Strip lighting, linear lighting/tube lighting			
Wattage	2x60W	2x72W	2x96W	3x96W
Driver Input	120V-277V AC (Coming soon)			
Driver Output	12V DC	24V DC	24V DC	24V DC
Rated Current (A)	2x5A	2x3A	2x4A	3x4A
Power Factor	0.95			
Dimming	TRIAC dimmers 100%-5%			
Approved Location*	Indoor & Dry/Damp			
Ambient Temperature	-20°C to +40°C			
Projected Life	50,000 hours			
Certification	cETLus			
Warranty*	3-year limited warranty			

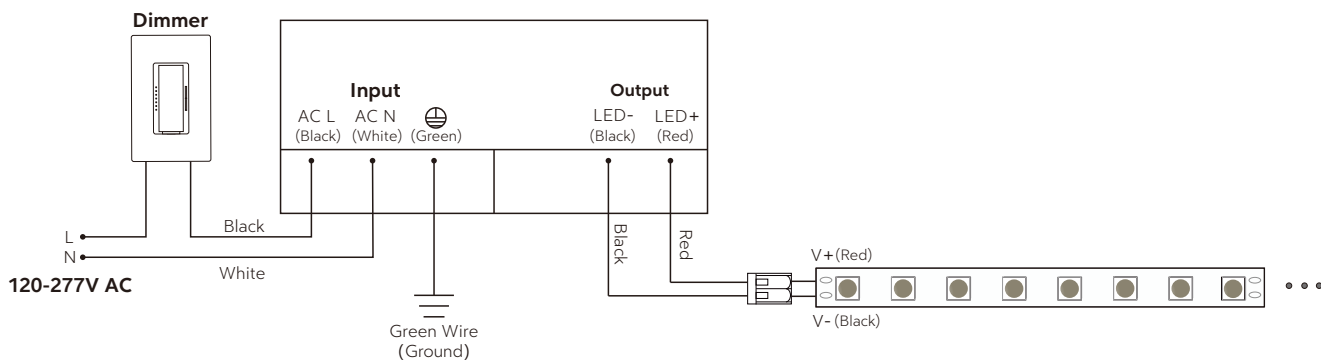
## Key Features

- Constant voltage mode
- Universal AC input/ full range: 120V-277V AC
- Triac dimming 100%-5%
- Strong compatibility, flicker-free dimming
- ETL certification, class 2
- Protections: short circuit/ overload/ over voltage
- Fully isolated steel case with IP20 level
- Suitable for dry or damp location use
- Suitable for LED strips, LED modules or LED sign applications etc.
- **Enjoy the benefits of voltage surge protection, reliable operation in low-temperature environments and longer driver lifetime**

## Dimensions



## Wiring Connection



## Ordering Guide

Example: DRIVER150W12V

Series	Wattage	Input Voltage	Output Voltage	Case Material
DRIVER	2x60W 2x72W 2x96W 3x96W	(Blank) 120V-277V only	12V 24V 24V 24V	Steel