

3.5" LED Regressed Downlight



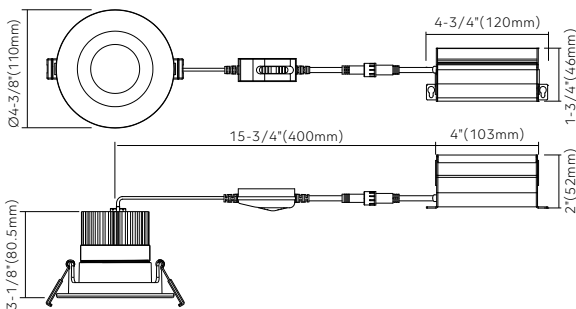
3.5" Round



Key Features

- 3.5" round LED fixed downlight with integral driver in connection box
- Type IC rated-no housing needed
- Flexibility to switch color temperature during installation to suit a specific application, just adjust the color temperature with the slide switch located on the wire
- Available shape: round & square
- LED source SDCM<3
- Aluminum construction
- **Enjoy the benefits of voltage surge protection, reliable operation in low-temperature environments and longer driver lifetime**

Dimensions



Specifications	
Models	CM-35R
Applications	General lighting
Wattage	12W
Color Temperature(K)	5CCT
Delivered Lumen(lm)	2700/3000/3500/4000/5000
Halogen Equivalent	100W
Beam Angle	38°
CRI	>90 (CRI 97 optional, special order)
Driver Input	120V AC (120V-347V optional)
Power Factor	0.9
Dimming	TRIAC dimmers 100%-10%(0-10V dimming optional)
Cut out	Ø3-3/4" (95mm)
Approved Location*	Insulated ceiling, Indoor & Wet location
Ambient Temperature	-20°C to +40°C
Air Tight	Yes
Projected Life	70% light output at 50,000 hours
Certification	cETLus
Warranty*	5-year limited warranty

* Due to continuous improvements and innovations, specifications may change without notice

120V Input Driver Included



Accessories

Rough-in plate 	AC120V driver Model: HB12W-X (Aluminum version)	AC120-347V driver Model: HB12W-MULV-X (Steel version)
	Extension cables (2pin) Model: LR-EXC6 6' 2pin cable LR-EXC10 10' 2pin cable LR-EXC20 20' 2pin cable	

Ordering Guide

Example: CM-35R12W5CCTWH

Series	Wattage	Color Temperature	Voltage	Finish
CM-35R Recessed Downlight -3.5" Round	12W	5CCT (2700K/3000K/3500K/4000K/5000K)	Blank AC 120V Mulv AC 120-347V	● WH (White) ● BK (Black)

* Other finish are available, please contact our sales to make order for special items

3.5" LED Regressed Downlight



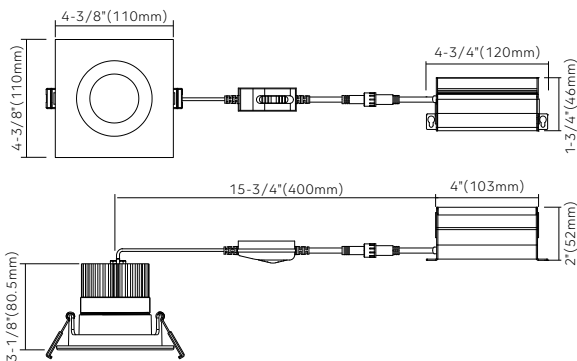
3.5" Square



Key Features

- 3.5" square LED fixed downlight with integral driver in connection box
- Type IC rated-no housing needed
- Flexibility to switch color temperature during installation to suit a specific application, just adjust the color temperature with the slide switch located on the wire
- Available shape: round & square
- LED source SDCM<3
- Aluminum construction
- **Enjoy the benefits of voltage surge protection, reliable operation in low-temperature environments and longer driver lifetime**

Dimensions



Specifications	
Models	CM-35S
Applications	General lighting
Wattage	12W
Color Temperature(K)	5CCT
Delivered Lumen(lm)	2700/3000/3500/4000/5000
Halogen Equivalent	100W
Beam Angle	38°
CRI	>90 (CRI 97 optional, special order)
Driver Input	120V AC (120V-347V optional)
Power Factor	0.9
Dimming	TRIAC dimmers 100%-10%(0-10V dimming optional)
Cut out	Ø3-3/4" (95mm)
Approved Location*	Insulated ceiling, Indoor & Wet location
Ambient Temperature	-20°C to +40°C
Air Tight	Yes
Projected Life	70% light output at 50,000 hours
Certification	cETLus
Warranty*	5-year limited warranty

* Due to continuous improvements and innovations, specifications may change without notice

120V Input Driver Included



Accessories

Rough-in plate 	AC120V driver Model: HB12W-X (Aluminum version)	AC120-347V driver Model: HB12W-MULV-X (Steel version)
	Extension cables (2pin) Model: LR-EXC6 6' 2pin cable LR-EXC10 10' 2pin cable LR-EXC20 20' 2pin cable	

Ordering Guide

Example: CM-35S12W5CCTWH

Series	Wattage	Color Temperature	Voltage	Finish
CM-35S Recessed Downlight -3.5" Square	12W	5CCT (2700K/3000K/3500K/4000K/5000K)	Blank AC 120V Mulv AC 120-347V	● WH (White) ● BK (Black)

* Other finish are available, please contact our sales to make order for special items