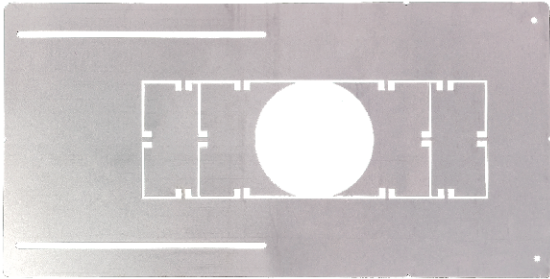


Universal Rough-in Plate



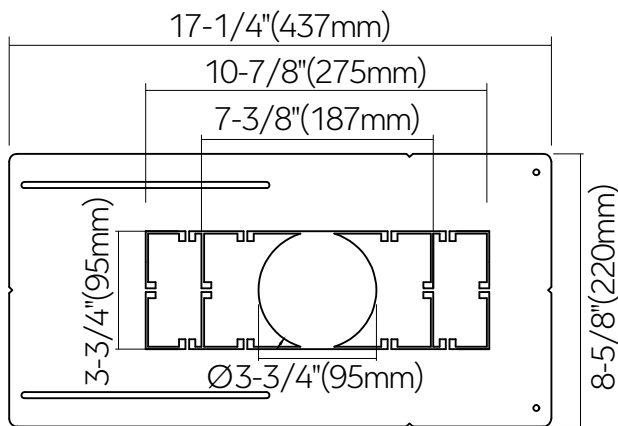
Key Features

- Constructed of galvanized steel
- Opening holes: $\text{Ø}3\text{-}3/4"$ $7\text{-}3/8"$ $\times 3\text{-}3/4"$ $10\text{-}7/8"$ $\times 3\text{-}3/4"$

Compatible fixtures

- HB-G35R12W5CCTWH
- HB-G35R12W5CCTBK
- HB-G35S12W5CCTWH
- HB-G35S12W5CCTBK
- HB-G235R24W5CCTWH
- HB-G235R24W5CCTBK
- HB-G335R36W5CCTWH
- HB-G335R36W5CCTBK

Dimensions



Ordering Guide

Series	Opening holes	Compatible fixtures
CMG-RP-U Universal Rough-in Plate	$\text{Ø}3\text{-}3/4"$ $7\text{-}3/8"$ $\times 3\text{-}3/4"$ $10\text{-}7/8"$ $\times 3\text{-}3/4"$	<ul style="list-style-type: none"> • Combo Family • 4" Regressed LED Downlight