

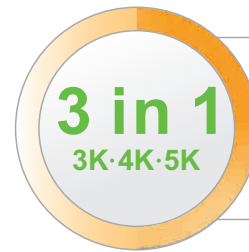
# Adjustable CCT LED Disk Lights

**Flickering Free DOB Slim Disk, CCT adjustable between 3000K, 4000K and 5000K**

*Ideal for entrances, living rooms, bedrooms, kitchens and dens as well as in wet locations, such as bathrooms, showers or outdoors under a porch or eave etc.*



- **Adjustable CCT: 3000K, 4000K or 5000K**
- Made of high quality aluminum and PC material, nice finish of the surface and good heat dissipation performance, it emits little heat when turned on, and no flickers, harmless for your eyes
- Input voltage: AC 120V 50/60Hz
- The lighting system is dimmable down to 10% by using an approved dimmer. Refer to dimming matrix for more information
- The LED system fits in most standard junction boxes
- Plus the light features 50,000 hours of life, and California Title-24 compliance
- Designed for indoor use only
- No traditional LED driver needed, suitable for virtually any application
- Flickering free AC design



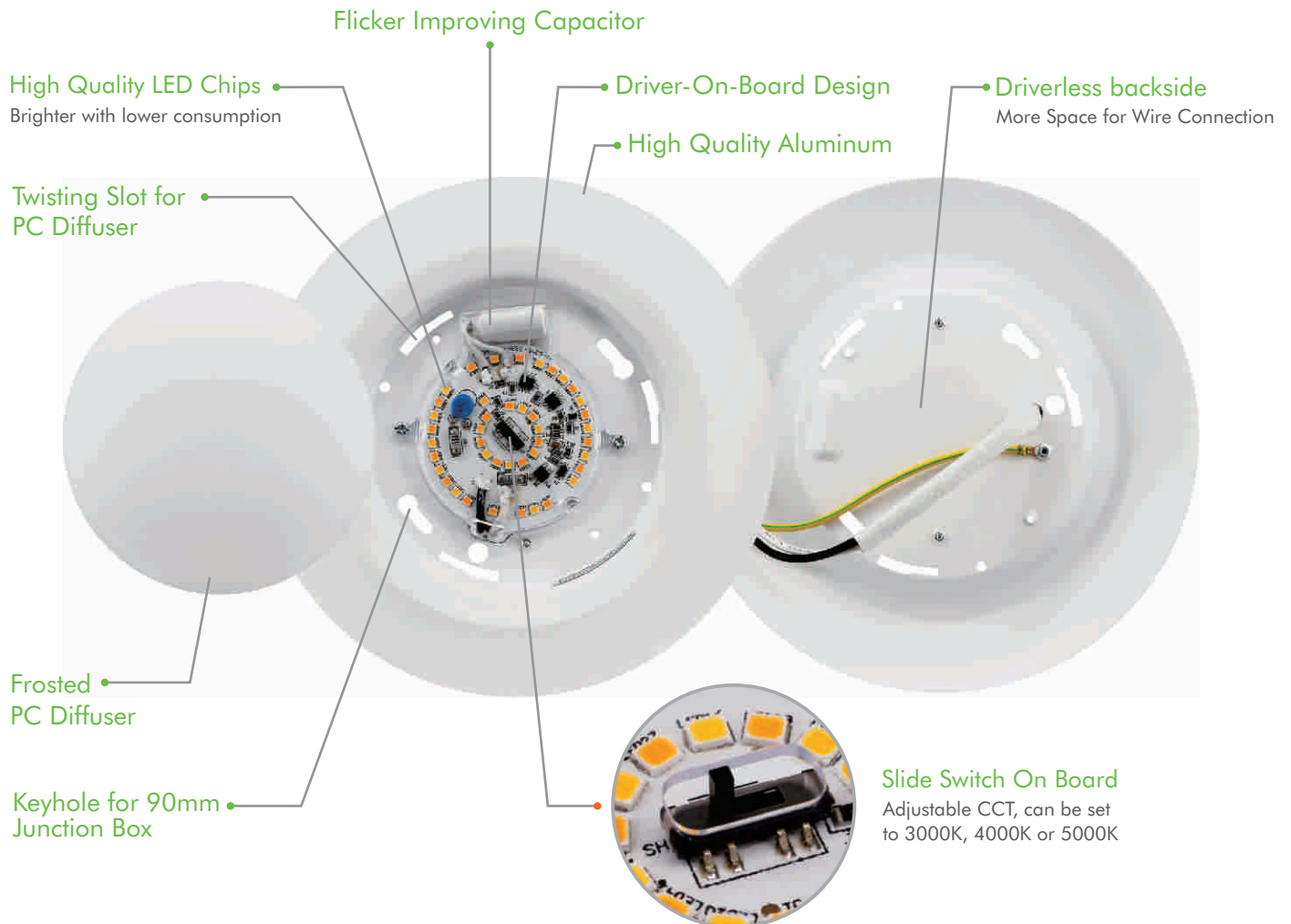
### Adjustable CCT

- Warm White: 3000K
- Neutral White: 4000K
- Cool White: 5000K

### Size

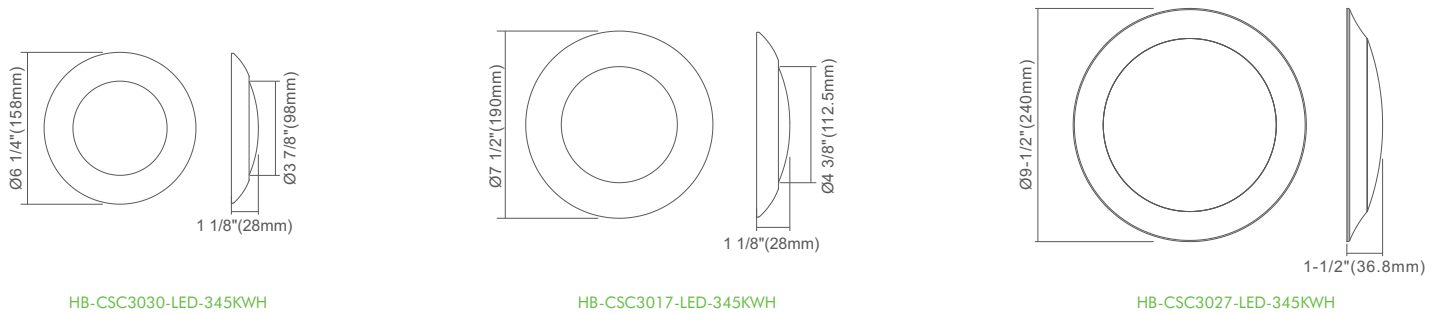
|                     |                     |                      |
|---------------------|---------------------|----------------------|
| 4"<br>Ø158mm        | 6"<br>Ø190mm        | 8"<br>Ø240mm         |
| <b>10W</b><br>600Lm | <b>15W</b><br>900Lm | <b>22W</b><br>1500Lm |

### Trim Options

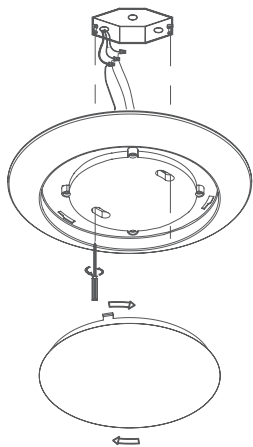


Model Shown: HB-CSC3017-LED-345KWH

## Dimensions



## Installation (Junction Box)



Step 1: Prior to installation, please install two screws (furnished) into the junction box. Do not drive screws completely to the end of the junction box.

Step 2: Connect supply wires to wires in fixture wiring box with proper size wire nuts or push wires into "push-in" connector. Connect white to white, black to black, and green or bare copper wire to bare copper wire.

Step 3: The ground wire at the service junction box may need to be secured to a ground screw.

Step 4: With a screwdriver, attach the disk light tightly to the j-box.

Step 5: Complete the installation by twisting the diffuser on the disk light metal enclosure and lock the diffuser in place.

Step 6: The edge of the fixture and the ceiling use waterproof silicone to seal

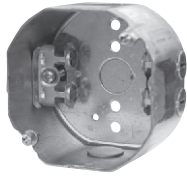
## Ordering Guide

| Picture | Model  | Description  |
|---------|--|--|
|         | 4" Adjustable CCT LED Disk Light (3000K, 4000K, 5000K) |  |
|         | HB-CSC3030-LED-345KWH                                  | 4" 10W 3000K, 4000K or 5000K 600Lm White Finish          |
|         | HB-CSC3030-LED-345KBN                                  | 4" 10W 3000K, 4000K or 5000K 600Lm Brushed Nickel Finish |
|         | 6" Adjustable CCT LED Disk Light (3000K, 4000K, 5000K) |  |
|         | HB-CSC3017-LED-345KWH                                  | 6" 15W 3000K, 4000K or 5000K 900Lm White Finish          |
|         | 8" Adjustable CCT LED Disk Light (3000K, 4000K, 5000K) |  |
|         | HB-CSC3027-LED-345KWH                                  | 8" 22W 3000K, 4000K or 5000K 1500Lm White Finish         |
|         |  |  |

## Compatible With Eaton's Crouse-hinds Junction Boxes



**TP316**  
for non-metallic cable  
4" x 4" x 2-1/8"  
(102mm x 102mm x 54mm)



**TP317**  
for metal clad cable  
4" x 4" x 2-1/8"  
(102mm x 102mm x 54mm)

- TP316 - for non-metallic cable
- TP317 - for metal clad cable
- UL Listed
- Suitable for two-hour fire-rated ANSI/UL 263 when properly installed in a fire-rated ceiling or wall
- Refer to [www.crouse-hinds.com](http://www.crouse-hinds.com)

## Compatible With Many Other Junction Boxes\*



**4" octagon light fixture/fan steel box**  
4" x 4" x 2-1/8"  
(102mm x 102mm x 54mm)



**4" octagon steel box**  
4" x 4" x 1-1/2"  
(102mm x 102mm x 38mm)



**4" square deep steel box**  
4" x 4" x 2-1/8"  
(102mm x 102mm x 54mm)



**4" square standard steel box**  
4" x 4" x 1-1/2"  
(102mm x 102mm x 38mm)



**4" round new work non-metallic light fixture/fan box**  
4" diameter x 2-3/16"  
(102mm x 56mm)



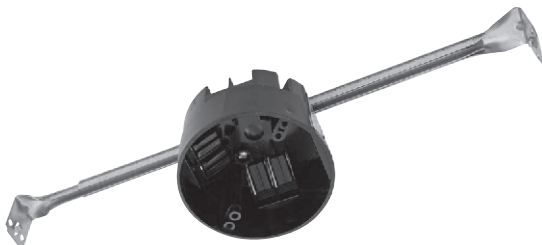
**3-1/2" round new work non-metallic ceiling box**  
3-1/2" diameter x 2-3/4"  
(89mm x 70mm)



**3-1/2" round old work non-metallic box**  
4-1/4" O.D. flange, 3-1/2" I.D. x 2-5/8"  
(108mm O.D., 89mm I.D. x 67mm)



**4" round surface mount box**  
4" diameter x 1-1/2"  
(102mm x 38mm)  
Requires SLD6RAD adapter



**4" round new work non-metallic box with hanger bar assembly**  
4" diameter x 2-3/16" (102mm x 56mm)