

2" LED Regressed Downlight



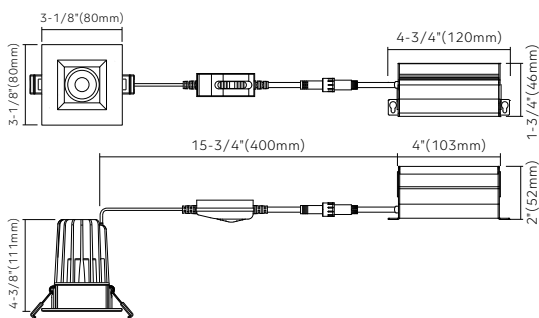
2" Square



Key Features

- 2" square high lumen LED downlight with integral driver in connection box
- Type IC rated-no housing needed
- Flexibility to switch color temperature during installation to suit a specific application, just adjust the color temperature with the slide switch located on the wire
- Smooth design
- Available shape: round & square
- LED source SDCM<3
- Aluminum construction
- **Enjoy the benefits of voltage surge protection, reliable operation in low-temperature environments and longer driver lifetime**

Dimensions



Specifications	
Models	HB-2SRH
Applications	General lighting
Wattage	12W
Color Temperature(K)	5CCT (coming soon)
	2700/3000/3500 /4000/5000
Delivered Lumen(lm)	1000
Halogen Equivalent	90W
Beam Angle	38°
CRI	>90 (CRI 97 optional, special order)
Driver Input	120V AC
Power Factor	0.9
Dimming	TRIAC dimmers 100%-10%
Cut out	2-5/8" (65mm)
Approved Location*	Insulated ceiling, Indoor & Damp/Wet location
Ambient Temperature	-20°C to +40°C
Air Tight	Yes
Projected Life	70% light output at 50,000 hours
Certification	ETL
Warranty*	5-year warranty

* Due to continuous improvements and innovations, specifications may change without notice

120V Input Driver Included



Accessories

AC120V driver



Model: G35RS-X
(Aluminum version)

Extension cables (2pin)



For single CCT or multiple CCT fixtures with CCT switch on the wire
Model: LR-EXC6 6' 2pin cable
LR-EXC10 10' 2pin cable
LR-EXC20 20' 2pin cable

Ordering Guide

Example: HB-2SRH12W5CCTWH

Series	Wattage	Color Temperature	Voltage	Finish
HB-2SRH Recessed Downlight -2" Square Reflector High Lumen	12W	5CCT (2700K/3000K/3500K/4000K/5000K)	(Blank) AC 120V	<ul style="list-style-type: none"> ● WH (Matte White) ● BK (Matte Black)