

LED Recessed Gimbal Module



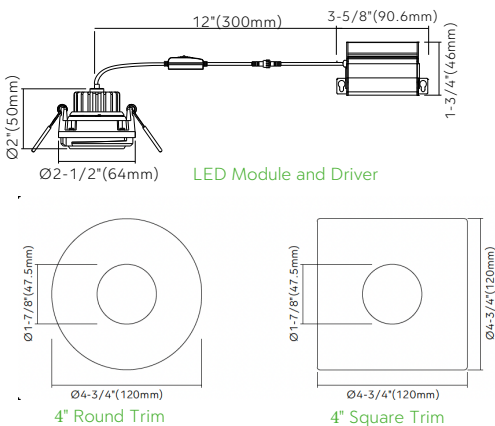
3" Module Gimbal



Key Features

- LED recessed gimbal with integral driver in connection box
- **Interchangeable trims, 4" round & square trim available**
- Type IC rated-no housing needed
- Flexibility to switch color temperature during installation to suit a specific application, just adjust the color temperature with the slide switch located on the wire
- 30° tilting, 360° rotation
- LED source SDCM<3
- Aluminum construction
- **Enjoy the benefits of voltage surge protection, reliable operation in low-temperature environments and longer driver lifetime**

Dimensions



Ordering Guide

Series	Wattage	Color Temperature	Voltage	Interchangeable Trim Shape	Finish
HB	8W	5CCT (2700K/3000K/ 3500K/4000K/5000K)	(Blank) 120V only	4RT 3" Round Trim 4ST 3" Square Trim	● WH (White) ● BK (Black)

Example: HB-8W-5CCT-4RT-4WH

Specifications	
Models	HB-8W-5CCT - 4
Applications	Sloped ceiling, highlighting artwork
Wattage	8W
Color Temperature(K)	5CCT 2700/3000/3500 /4000/5000
Lumen Output(lm)	650
Halogen Equivalent	50W
Beam Angle	38°
CRI	>90 (CRI 97 optional, special order)
Driver Input	120V AC
Power Factor	0.9
Dimming	TRIAC dimmers 100%-10%
Cut out	2-3/4" to 2-7/8" (70-72mm)
Approved Location*	Insulated ceiling, Indoor & Wet location
Ambient Temperature	-20°C to +40°C
Air Tight	Yes
Projected Life	70% light output at 50,000 hours
Certification	cETLus
Warranty*	5-year

120V Input Driver Included



Accessories

Interchangeable trims



AC120V driver



Extension cables (2pin)



Model: LR-EXC6 6' 2pin cable
 LR-EXC10 10' 2pin cable
 LR-EXC20 20' 2pin cable

* Other finish are available, please contact our sales to make order for special items