

# Recessed LED Combo Downlight



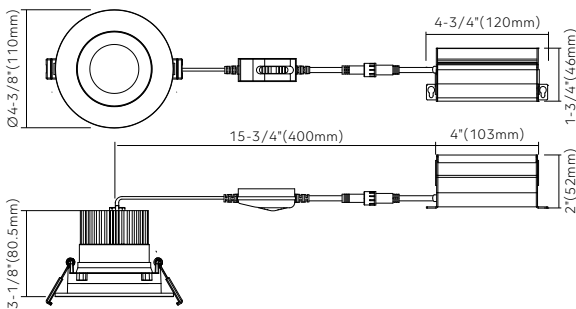
## 3.5" Round



### Key Features

- 3.5" round LED gimbal downlight with integral driver in connection box
- **15° tilting, 360° rotation**
- Type IC rated-no housing needed
- Flexibility to switch color temperature during installation to suit a specific application, just adjust the color temperature with the slide switch located on the wire
- Available shape: round & square
- LED source SDCM<3
- Aluminum construction
- **Enjoy the benefits of voltage surge protection, reliable operation in low-temperature environments and longer driver lifetime**

### Dimensions



Specifications	
Models	HB-G35R
Applications	Sloped ceiling, highlighting artwork
Wattage	12W
Color Temperature(K)	5CCT
Delivered Lumen(lm)	2700/3000/3500/4000/5000
Halogen Equivalent	100W
Beam Angle	38°
CRI	>90 (CRI 97 optional, special order)
Driver Input	120V AC (120V-347V optional)
Power Factor	0.9
Dimming	TRIAC dimmers 100%-10%(0-10V dimming optional)
Cut out	3-3/4" (95mm)
Approved Location*	Insulated ceiling, Indoor & Wet location
Ambient Temperature	-20°C to +40°C
Air Tight	Yes
Projected Life	70% light output at 50,000 hours
Certification	ETL
Warranty*	5-year

\* Due to continuous improvements and innovations, specifications may change without notice

### 120V Input Driver Included



### Accessories

<b>Rough-in plate</b> 	<b>AC120-347V driver</b>  Model: MULV12-X (Steel version)	<b>AC120V driver</b>  Model: G35RS-X (Aluminum version)
	<b>Extension cables (2pin)</b>  Model: LR-EXC6 6' 2pin cable LR-EXC10 10' 2pin cable LR-EXC20 20' 2pin cable	

### Ordering Guide

Example: HB-G35R12W5CCTWH

Series	Wattage	Color Temperature	Voltage	Finish
<b>HB-G35R</b> Recessed LED Combo Downlight -3.5" Round	<b>12W</b>	<b>5CCT</b> (2700K/3000K/3500K/4000K/5000K)	<b>Blank</b> AC 120V <b>Mulv</b> AC 120-347V	● <b>WH</b> (White) ● <b>BK</b> (Black)

\* Other finish are available, please contact our sales to make order for special items