

LED Regressed Gimbal Lights



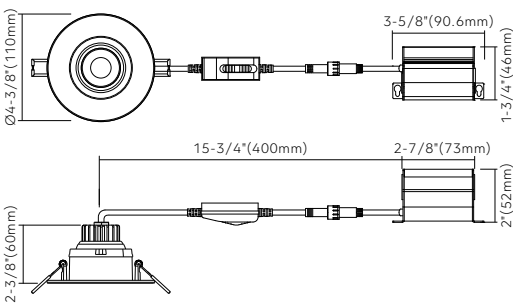
3" Round



Key Features

- 3" round LED recessed regressed gimbal with integral driver in connection box
- Eyeball, round & square regressed models
- Type IC rated-no housing needed
- Flexibility to switch color temperature during installation to suit a specific application, just adjust the color temperature with the slide switch located on the wire
- **30° tilting, 360° rotation**
- LED source SDCM<3
- Aluminum construction
- **Enjoy the benefits of voltage surge protection, reliable operation in low-temperature environments and longer driver lifetime**

Dimensions



Specifications	
Models	HB-3R
Applications	Sloped ceiling, highlighting artwork
Wattage	8W
Color Temperature(K)	5CCT
	2700/3000/3500 /4000/5000
Lumen Output(lm)	550
Halogen Equivalent	50W
Beam Angle	38°
CRI	>90 (CRI 97 optional, special order)
Driver Input	120V AC
Power Factor	0.9
Dimming	TRIAC dimmers 100%-10%
Cut out	3-3/8" (85mm)
Approved Location*	Insulated ceiling, Indoor & Wet location
Ambient Temperature	-20°C to +40°C
Air Tight	Yes
Projected Life	70% light output at 50,000 hours
Certification	cETLus
Warranty*	5-year

120V Input Driver Included



Accessories

AC120V driver	
	Model: LR-D120-08S (Steel version)
	Model: D28A-X (Aluminum version)
Extension cables (2pin)	
	Model: LR-EXC6 6' 2pin cable LR-EXC10 10' 2pin cable LR-EXC20 20' 2pin cable

Ordering Guide

Example: HB-3R8W5CCTWH

Series	Wattage	Color Temperature	Voltage	Finish
HB-3R Recessed Regressed Gimbal-3" Round	8W	5CCT (2700K/3000K/3500K/4000K/5000K)	(Blank) 120V only	● WH (White) ● BK (Black)

* Other finish are available, please contact our sales to make order for special items