

# Recessed LED Combo Downlight



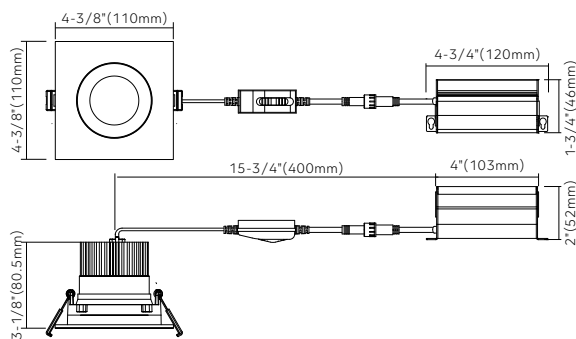
## 3.5" Square



### Key Features

- 3.5" square LED gimbal downlight with integral driver in connection box
- **15° tilting, 360° rotation**
- Type IC rated-no housing needed
- Flexibility to switch color temperature during installation to suit a specific application, just adjust the color temperature with the slide switch located on the wire
- Available shape: round & square
- LED source SDCM<3
- Aluminum construction
- **Enjoy the benefits of voltage surge protection, reliable operation in low-temperature environments and longer driver lifetime**

### Dimensions



| Specifications       |  |
|----------------------|--|
| Models               | HB-G35S  |
| Applications         | Sloped ceiling, highlighting artwork           |
| Wattage              | 12W  |
| Color Temperature(K) | 5CCT   |
| Lumen Output(lm)     | 2700/3000/3500/4000/5000                       |
| Halogen Equivalent   | 90W  |
| Beam Angle           | 38°  |
| CRI                  | >90 (CRI 97 optional, special order)           |
| Driver Input         | 120V AC (120V-347V optional)                   |
| Power Factor         | 0.9  |
| Dimming              | TRIAC dimmers 100%-10%(0-10V dimming optional) |
| Cut out              | 3-3/4" (95mm)                                  |
| Approved Location*   | Insulated ceiling, Indoor & Wet location       |
| Ambient Temperature  | -20°C to +40°C                                 |
| Air Tight            | Yes  |
| Projected Life       | 70% light output at 50,000 hours               |
| Certification        | ETL  |
| Warranty*            | 5-year   |

### 120V Input Driver Included



### Accessories

|  |  |   |
|--|--|---|
| <b>Rough-in plate</b><br><br>Model: HB-MP-35 | <b>AC120-347V driver</b><br><br>Model: MULV12-X (Steel version)  | <b>AC120V driver</b><br><br>Model: G35RS-X (Aluminum version) |
|  | <b>Extension cables (2pin)</b><br><br>Model: LR-EXC6 6' 2pin cable<br>LR-EXC10 10' 2pin cable<br>LR-EXC20 20' 2pin cable |   |

### Ordering Guide

Example: HB-G35S12W5CCTWH

| Series  | Wattage    | Color Temperature                           | Voltage   | Finish                                     |
|---|------------|---|---|--|
| <b>HB-G35S</b><br>Recessed LED Combo Downlight -3.5" Square | <b>12W</b> | <b>5CCT</b> (2700K/3000K/3500K/4000K/5000K) | <b>Blank</b> AC 120V<br><b>Mulv</b> AC 120-347V | ● <b>WH</b> (White)<br>● <b>BK</b> (Black) |

\* Other finish are available, please contact our sales to make order for special items