

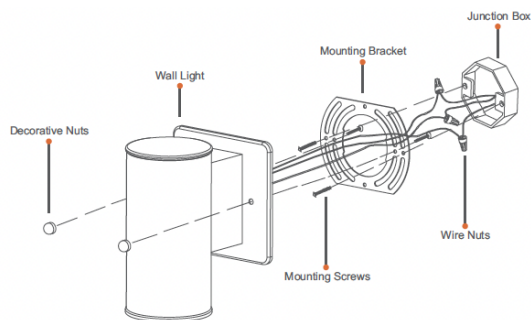
5W LED Outdoor Down Wall Light



Key Features

- Modern black matte LED wall light with clean, architectural design
- Downward light output for soft accent and pathway illumination
- 5W energy-efficient LED delivering reliable performance with low heat output
- 3000K warm white (single CCT) for comfortable outdoor lighting ambiance
- Wide 110° beam angle for smooth, even light distribution
- IP65 rated for outdoor and wet-location applications
- 120V AC input with TRIAC dimming (100%–10%)
- High power factor (≥ 0.9) for efficient electrical performance
- Long lifespan rated at L70 50,000 hours
- cETLus certified with a 5-year limited warranty

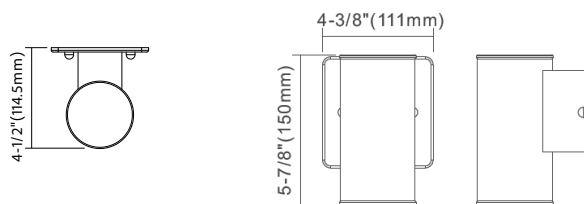
Installation



| Specifications | |
|----------------------|----------------------------------|
| Models | HB-W2031-5W |
| Applications | Garden, porch |
| Wattage | 5W |
| Color Temperature(K) | Single CCT 3000K |
| Lumen Output(lm) | 350 |
| Halogen Equivalent | 50W |
| Beam Angle | 110° |
| CRI | 90 |
| Driver Input | 120V AC |
| Power Factor | 0.9 |
| Dimming | TRIAC dimmers 100%-10% |
| Approved Location* | Outdoor & Wet location |
| Ambient Temperature | -20°C to +40°C |
| Air Tight | Yes |
| Projected Life | 70% light output at 50,000 hours |
| Certification | cETLus |
| Warranty* | 5-year warranty |

Due to continuous improvements and innovations, specifications may change without notice

Dimensions



Step 1. Turn off the power.

Step 2. Pull the supply wires and the house ground wire out from the junction box, position the mounting bracket over the junction box. Mark the location of the two holes located on the mounting bracket.

Step 3. Make the wiring connections: connect the white supply wire to the white fixture wire; connect the black supply wire to the black fixture wire; connect the house ground wire to the fixture ground wire using wire nuts.

Step 4. Carefully tuck all wires back into the junction box.

Step 5. Insert mounting screws through the slots in the mounting bracket and then tightly secure the mounting screws into the junction box.

Step 6. Place the wall light to the mounting bracket by tightening two decorative nuts.

Ordering Guide

| Series | Wattage | Color Temperature | Voltage | Finish | |
|---------------|----------------|-------------------|-----------------------|----------------------|-----------------------|
| HB-W2031-DOWN | LED Wall Light | 5W | 3K (3000K-Single CCT) | (Blank) 120V only | (Blank) Black only |