

LED Regressed Downlight Module



4" 22W



Key Features

- 4" high wattage LED module downlight with integral driver in connection box
- Type IC rated-no housing needed
- Flexibility to switch color temperature during installation to suit a specific application, just adjust the color temperature with the slide switch located inside the J-box or on the wire
- **Aluminum interchangeable trims, round & square, reflector & baffle are available**
- LED source SDCM<3
- Aluminum construction
- **Enjoy the benefits of voltage surge protection, reliable operation in low-temperature environments and longer driver lifetime**

Accessories

Interchangeable trims



Round smooth trim



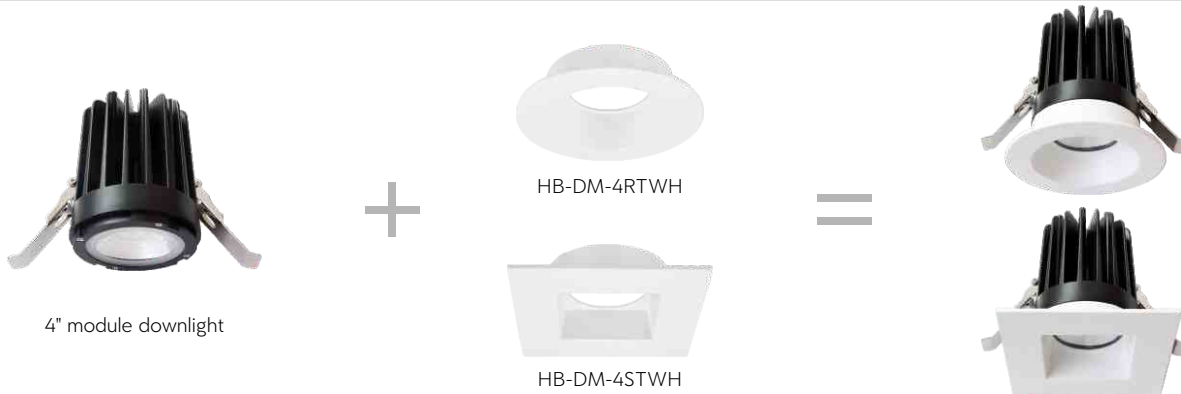
Square smooth trim

AC120V driver



Model: D422S-X
(Steel version)

Order Example



Specifications

Models	HB-LED
Applications	General lighting
Wattage	22W
Color Temperature(K)	5CCT (coming soon)
	2700/3000/3500 /4000/5000
Delivered Lumen(lm)	1900
Halogen Equivalent	190W
Beam Angle	38°
CRI	>90 (CRI 97 optional, special order)
Driver Input	120V AC
Power Factor	0.9
Dimming	TRIAC dimmers 100%-10%
Cut out	3-3/4" (95mm)
Approved Location*	Insulated ceiling, Indoor & Damp location
Ambient Temperature	-20°C to +40°C
Air Tight	Yes
Projected Life	70% light output at 50,000 hours
Certification	ETL
Warranty*	5-year warranty

* Due to continuous improvements and innovations, specifications may change without notice

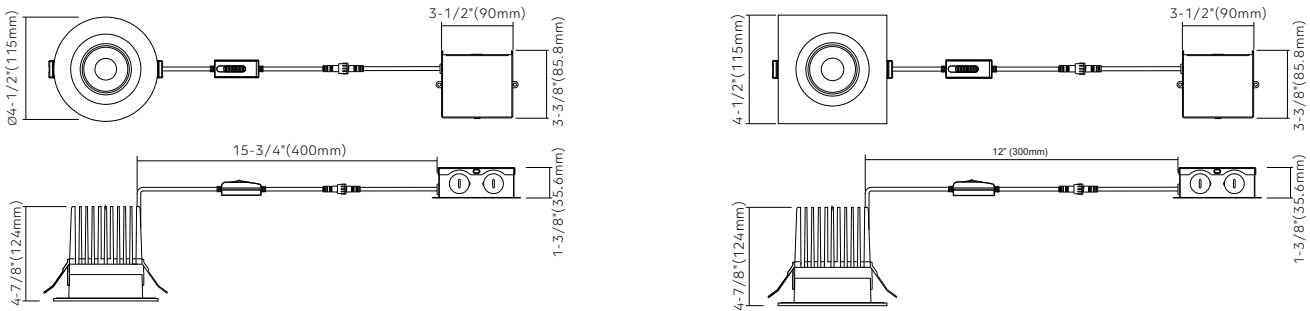
120V Input Driver Included



LED Regressed Downlight Module



Dimensions



Ordering Guide

Example: HB-LED-22W-5CCT-4RTWH

Series	Wattage	Color Temperature	Voltage	Interchangeable Trim Shape	Interchangeable Trim Finish
HB-LED Regressed Module Downlight -4"	22W	5CCT (2700K/3000K/3500K /4000K/5000K)	(Blank) 120V only	4RT(Round) 4ST(Square)	<ul style="list-style-type: none"> ● WH (White) ● BK (Black)

* Other finish are available, please contact our sales to make order for special items