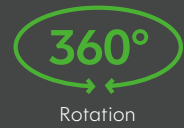


Recessed Gimbal Downlight | 4" Sloped Regressed Gimbal



Unique floating gimbal design adds an architectural touch
Canless module does not require a housing making it perfect for new construction and remodeling



Durable Die-cast Aluminum material



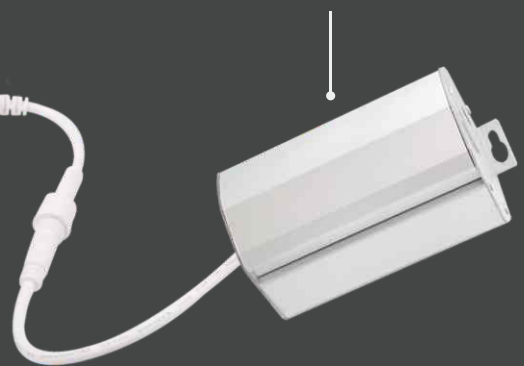
Anti-glare Design
Tilting 30°, Rotation 360°



Selectable CCT switch on the wire

Slide switch on wire CCT can be set to 2700K, 3000K, 3500K, 4000K, 5000K

Aluminum J-box



FT1, FT4 & FT6 cable are available

FT1 (Default)
FT4/FT6 (Optional, MOQ required)

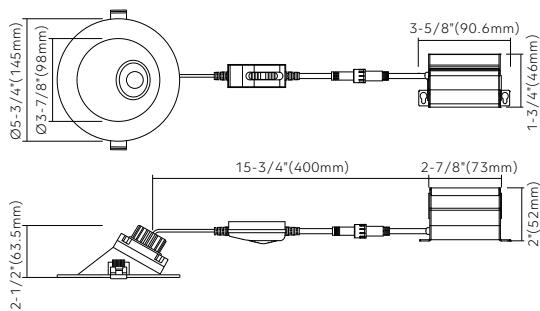
4" Round



Key Features

- 4" round LED recessed sloped regressed gimbal with integral driver in connection box
- Unique floating gimbal design adds an architectural touch
- Type IC rated-no housing needed
- Flexibility to switch color temperature during installation to suit a specific application, just adjust the color temperature with the slide switch located on the wire
- LED source SDCM<3
- **30° tilting, 360° rotation**
- Enjoy the benefits of voltage surge protection, reliable operation in low-temperature environments and longer driver lifetime
- Die-cast aluminum construction

Dimensions



Ordering Guide

Example: HB-LP8W5CCTWH

Series		Wattage	Color Temperature	Voltage	Finish
HB-LP	Hi-Bright Recessed Sloped Regressed Gimbal-4" Round	8W	5CCT (2700K/3000K/3500K/4000K/5000K)	Blank AC 120V	<ul style="list-style-type: none"> ● WH (Matte White) ● BK (Matte Black)

Specifications

Models	HB-LP8W
Applications	Sloped ceiling, highlighting artwork
Wattage	8W
Color Temperature(K)	5CCT
	2700/3000/3500 /4000/5000
Delivered Lumen(lm)	650
Halogen Equivalent	65W
Beam Angle	38°
CRI	>90 (CRI 97 optional, special order)
Driver Input	120V AC
Power Factor	0.9
Dimming	TRIAC dimmers 100%-10%
Cut out	4-3/4" (120mm)
Approved Location*	Insulated ceiling, Indoor & Damp/Wet location
Ambient Temperature	-20°C to +40°C
Air Tight	Yes
Projected Life	70% light output at 50,000 hours
Certification	ETL
Warranty*	5-year limited warranty

* Due to continuous improvements and innovations, specifications may change without notice

120V Input Driver Included



Accessories

AC120V driver



Model: D28A-X
(Aluminum version)

Extension cables (2pin)



For single CCT or multiple CCT fixtures with CCT switch on the wire
 Model: LR-EXC6 6' 2pin cable
 LR-EXC10 10' 2pin cable
 LR-EXC20 20' 2pin cable