

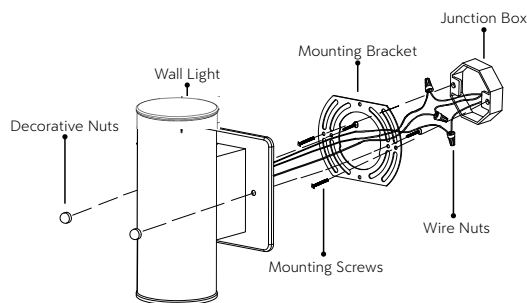
Up and Down LED Wall Light



Key Features

- Attractive modern design wall light with double head
- Weather-proof and stainless steel with brushed nickel finish, durable craftsmanship ensures lasting style and beauty
- It could be installed reversed, double shooting
- Outdoor certified wet location wall mount fixture
- Input voltage: 120V AC 50/60Hz
- Unique special lighting effects, could meet different building's space requirement for lighting
- Low power consumption and Low heat dissipation
- 100%-5% dimming with compatible electronic and magnetic dimming drivers
- Wall surface mounted
- Suitable for outdoor
- Wet location rated to IP65 standards for indoor and outdoor installations

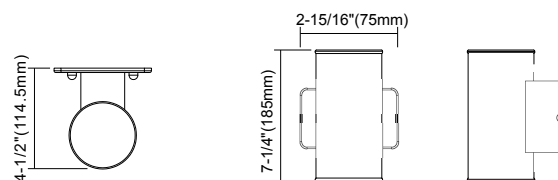
Installation



Specifications	
Models	HB-W2032-LED
Applications	Garden, porch
Wattage	10W
Color Temperature(K)	Single CCT
	3000
Lumen Output(lm)	570
Halogen Equivalent	50W
Beam Angle	110°
CRI	80
Driver Input	120V AC
Power Factor	0.9
Dimming	TRIAC dimmers 100%-10%
Approved Location*	Outdoor & Wet location
Ambient Temperature	-20°C to +40°C
Air Tight	Yes
Projected Life	70% light output at 50, 000 hours
Certification	ETL
Warranty*	5-year warranty

Approved Location*-please contact our sales for outdoor application
Warranty*-refer to Hi-bright warranty policy

Dimensions



Step 1. Turn off the power.

Step 2. Pull the supply wires and the house ground wire out from the junction box, position the mounting bracket over the junction box. Mark the location of the two holes located on the mounting bracket.

Step 3. Make the wiring connections: connect the white supply wire to the white fixture wire; connect the black supply wire to the black fixture wire; connect the house ground wire to the fixture ground wire using wire nuts.

Step 4. Carefully tuck all wires back into the junction box.

Step 5. Insert mounting screws through the slots in the mounting bracket and then tightly secure the mounting screws into the junction box.

Step 6. Place the wall light to the mounting bracket by tightening two decorative nuts.

Ordering Guide

Example: HB-W2032-LED-3K

Series	Wattage	Color Temperature	Voltage	Finish
HB-W2032-LED Hi-bright LED Wall Light	10W	3K (3000K-Single CCT)	(Blank) 120V only	(Blank) Black only