

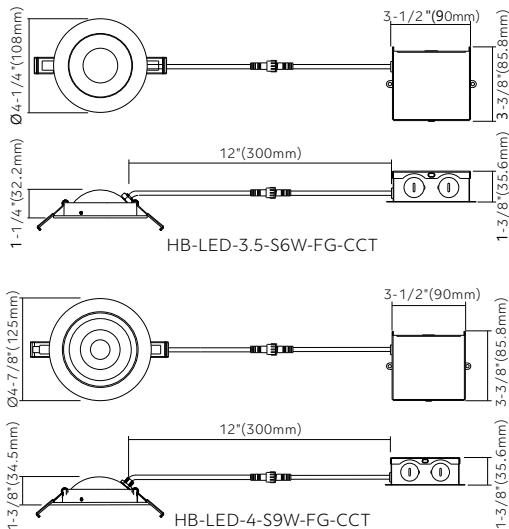
LED Floating Gimbal Light



Key Features

- 3.5" & 4" LED floating gimbal with integral driver in connection box
- Type IC rated-no housing needed
- Flexibility to switch color temperature during installation to suit a specific application, just adjust the color temperature with the slide switch located on the junction box
- Superior LED performance and lifespan
- 90° tilting, 360° rotation
- Cut hole in ceiling and snap fixture in opening with attached spring clips
- Aluminum construction

Dimensions



Ordering Guide

Series		Wattage	Color Temperature	Voltage	Finish
HB-LED-3.5-S6W-FG-CCT	Recessed Aluminum Floating Gimbal-3.5"	6W	5CCT (2700K/3000K/3500K/4000K/5000K)	(Blank) 120V only	● WH (White)
HB-LED-4-S9W-FG-CCT	Recessed Steel Floating Gimbal-4"	9W			

* Other finish are available, please contact our sales to make order for special items

Specifications

Models	HB-LED-3.5-S6W-FG-CCT	HB-LED-4-S9W-FG-CCT
Applications	Sloped ceiling, highlighting artwork	
Wattage	6W	9W
Color Temperature(K)	5CCT (coming soon)	5CCT (coming soon)
	2700/3000/3500 /4000/5000	2700/3000/3500 /4000/5000
Lumen Output(lm)	430	630
Halogen Equivalent	40W	60W
Beam Angle	38°	
CRI	90	
Driver Input	120V AC	
Power Factor	0.9	
Dimming	TRIAC dimmers 100%-10%	
Cut out	3-3/4" (95mm)	4-1/4" (108mm)
Approved Location*	Insulated ceiling, Indoor & Wet location	
Ambient Temperature	-20°C to +40°C	
Air Tight	Yes	
Projected Life	70% light output at 50,000 hours	
Certification	ETL	
Warranty*	5-year warranty	

Approved Location*-please contact our sales for outdoor application
Warranty*-refer to Hi-bright warranty policy

120V Input Driver Included



Accessories

AC120V driver



Model: LR-D120-09SB
(Steel version)

Extension cables (3pin)



Model: LR-EXC6-S3 6' 3pin cable
LR-EXC10-S3 10' 3pin cable
LR-EXC20-S3 20' 3pin cable

Example: HB-LED-3.5-S6W-FG-CCTWH